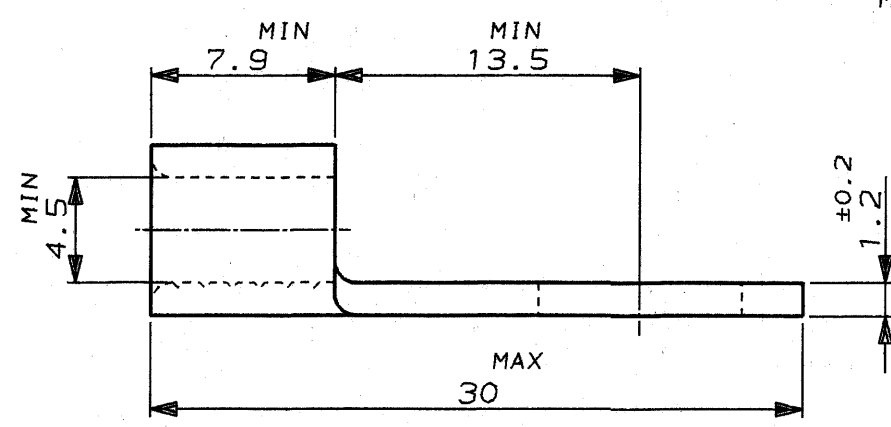
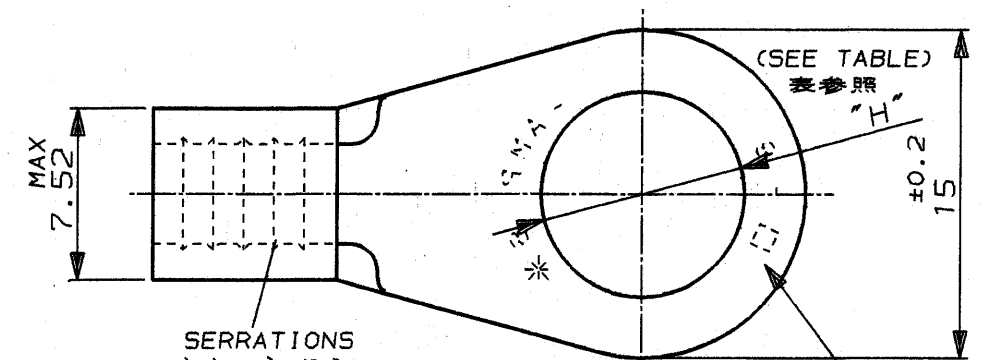
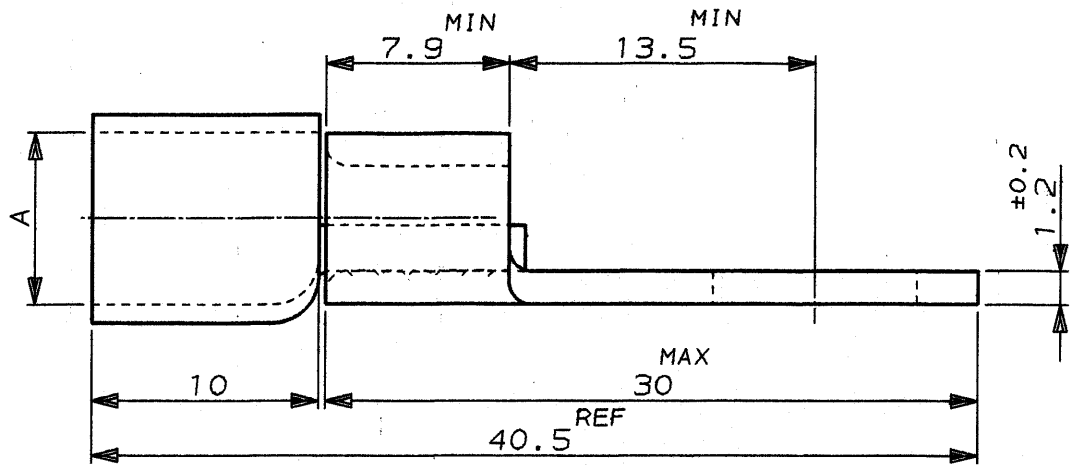
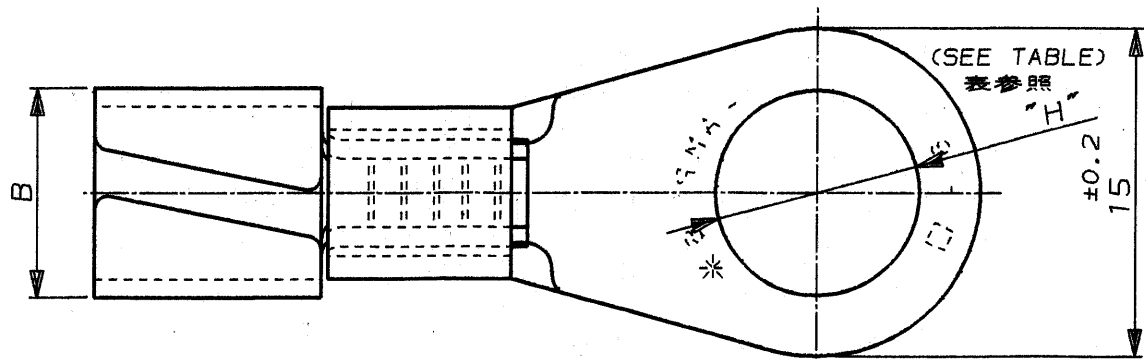


NUMBER C-170729  
METRIC  
三角法 (3rd ANGLE PROJECTION)



マーキング表参照  
MARKING SEE TABLE

| 型番<br>PART NO.        | スタッド<br>STUD    | φ"H"<br>"H" DIA     | A              | B              | ターミナル<br>TERMINAL   | キャップ<br>CAPTIER          |
|-----------------------|-----------------|---------------------|----------------|----------------|---------------------|--------------------------|
| 7-170729-1            | 8MM             | 8.6±0.2             | 9.6            | 11.2           | 170729-1            | 4728-1 (5.5H)            |
| 7-170729-2            | 10MM            | 10.7±0.2            | 9.6            | 11.2           | 170729-2            | 4728-1 (5.5H)            |
| <del>9-170729-1</del> | <del>8MM</del>  | <del>8.6±0.2</del>  | <del>7.6</del> | <del>9.2</del> | <del>170729-1</del> | <del>4728-2 (5.5L)</del> |
| <del>9-170729-2</del> | <del>10MM</del> | <del>10.7±0.2</del> | <del>7.6</del> | <del>9.2</del> | <del>170729-2</del> | <del>4728-2 (5.5L)</del> |

~~OBSOLETE~~  
~~OBSOLETE~~

| 型番<br>PART NO. | スタッド<br>STUD | φ"H"<br>"H" DIA | マーキング<br>MARKING |
|----------------|--------------|-----------------|------------------|
| 170729-1       | 8MM          | 8.6±0.2         | 8-8              |
| 170729-2       | 10MM         | 10.7±0.2        | 8-10             |

PRINT DIST  
単位: 純 DIMENSIONS IN MM. DO NOT SCALE PRINT

|     |                              |         |          |
|-----|------------------------------|---------|----------|
| J   | 9-1 OBSOLETED (FJ00-1754-94) | Y.I.S.M | 12-17-94 |
| H   | REDRAWN AND ADD J-0312       | NM S.M  | 8-8-91   |
| LTR | 変更 (REVISION RECORD)         | DR      | CHK      |

|                                                            |                                                               |
|------------------------------------------------------------|---------------------------------------------------------------|
| Copyright © 1991 年<br>日本エー・エム・ピー株式会社                       | Copyright © 1991<br>AMP (Japan), LTD.<br>ALL RIGHTS RESERVED. |
| 組合電線断面積 (WIRE RANGE)<br>6.64~10.52 mm <sup>2</sup> (AWG 8) | 被覆外径 (INSULATION DIA.)<br>mmφ                                 |
| 材料 (MATERIAL)<br>電気銅 Cu                                    | 仕上 (FINISH)<br>焼なまし ANNUL<br>錫めつき TIN PL.                     |
| DR. N. Matsubara 6 AUG 91                                  | DE. N. Matsubara 6 AUG 91                                     |
| CHK. S. MANABE                                             | APP. S. MANABE 8-AUG-91                                       |

|                                                                      |                   |           |                      |
|----------------------------------------------------------------------|-------------------|-----------|----------------------|
| AMP 日本エー・エム・ピー株式会社<br>Tokyo, Japan                                   |                   |           |                      |
| 名称 (NAME)<br>WIRE TERMINAL COMPLETE AND<br>CAP ASS'Y ワイヤターミナルとキャップ付き |                   |           |                      |
| 一般公差 (GENERAL TOLERANCE)<br>±0.4                                     | SIZE<br>B         | LOC<br>J  | 番号 (No.)<br>C-170729 |
| 角 度: ±3°                                                             | 尺度 (SCALE)<br>3-1 | REV.<br>J | SHEET<br>1 OF 1      |

(CUSTOMER DRAWING) 参 考 面